



Technical Precautions for Design, Installation and Maintenance

34) External Connection Diagrams for Standard Motorized Pulleys

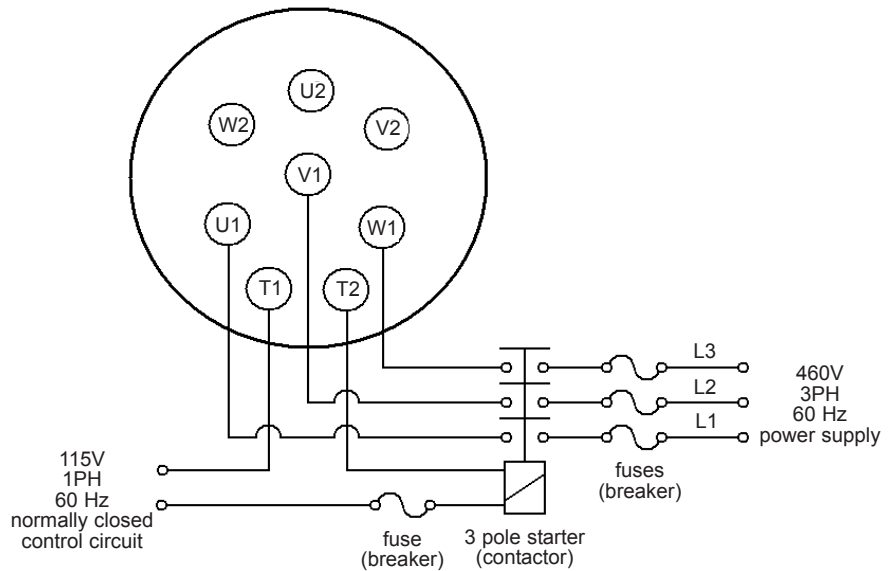
Standard Terminal Box 0.5 HP - 180 HP

Diagrams are valid for Motorized Pulleys manufactured after January 2004. For units built prior to this date contact Rulmecca or refer to Repair and Maintenance Guide available at www.rulmecacorp.com.

T1 & T2 = Internal bi-metallic thermal protection switch which **MUST BE CONNECTED** to external normally closed control circuit.

See Technical Precautions pages 76 - 86 for complete electrical design, installation, and maintenance instructions.

USA standard 460V power supply



USA standard 230V power supply

