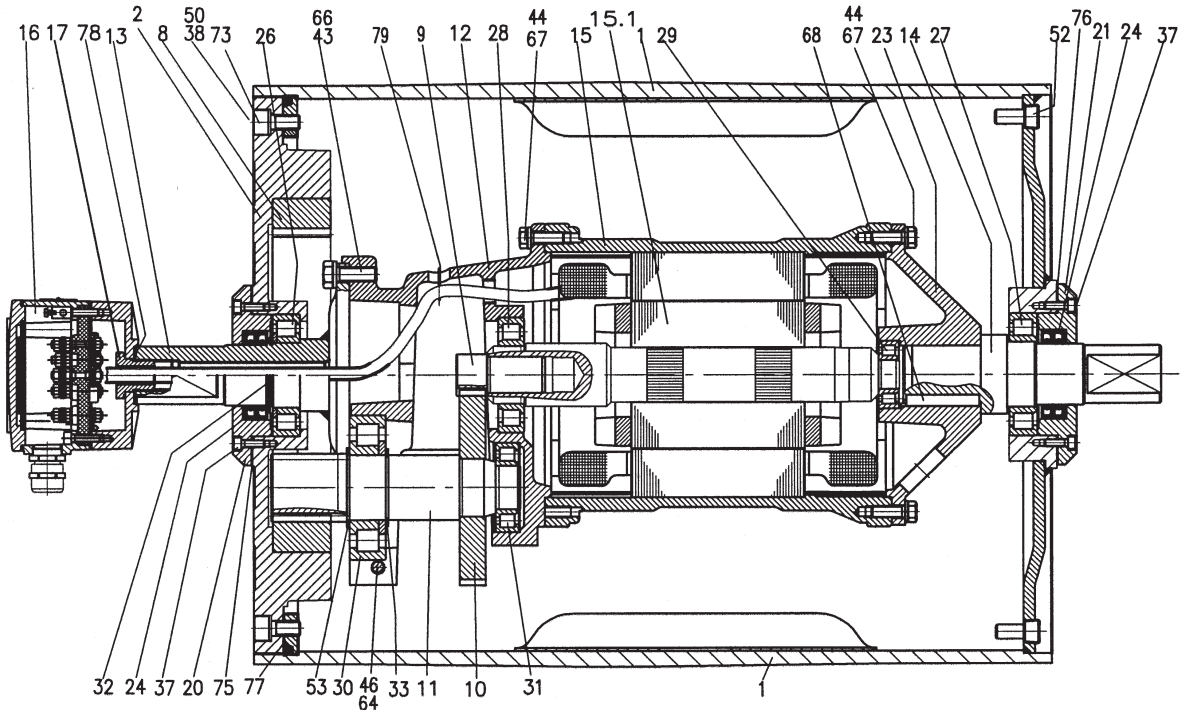




Motorized Pulley 400L, Ø 15.91 in. (404 mm)

Spare parts list and sectional drawings

Pos.	Description	Pos.	Description	Pos.	Description
1	Shell	28	Bearing	73	Set screw
2	End housing with geared rim	29	Bearing	75	Gasket
8	Geared rim	30	Bearing	76	Gasket
9	Rotor pinion	31	Bearing	77	Gasket
10	Input wheel	32	Retaining ring	78	Gasket
11	Output pinion	33	Retaining ring	79	Holding clip or plastic tie
12	Gear box – cast aluminum	37	Hexagon socket screw	85	Intermediate flange for backstop
13	Front shaft	38	Hexagon socket screw	85.1	Intermediate flange for brake assembly
14	Rear shaft	43	Hexagon screw	90	Backstop
15	Stator complete	44	Hexagon screw	91	Electromagnetic brake
15.1	Rotor	45	Hexagon socked head screw	93	Retaining ring
16	Terminal box complete	46	Hexagon screw	94	Hexagon head screw
17	Nipple	49	Washer	95	Straight connector
20	Cover – front side	50	Washer	96	Elbow connector
20.1	Cover with labyrinth groove	52	Magnetic oil plug	99	Waved spring washer
21	Cover – rear side	53	Distance washer	101	Key
21.1	Cover with labyrinth groove	53.1	Compression nipple	104	Distance washer
23	Rear flange	60	Parallel pin	120	Labyrinth cover
24	2 Dust lip seals each side	64	Prevailing torque type hexagon nut	121	Set screw
23.1	Double lip seals for labyrinth option	66	Waved spring washer	122	O-ring
26	Bearing	67	Waved spring washer	123	Grease nipple
27	Bearing	68	Key	143	O-ring
				146	Special compression washer
				200	Rubber seal

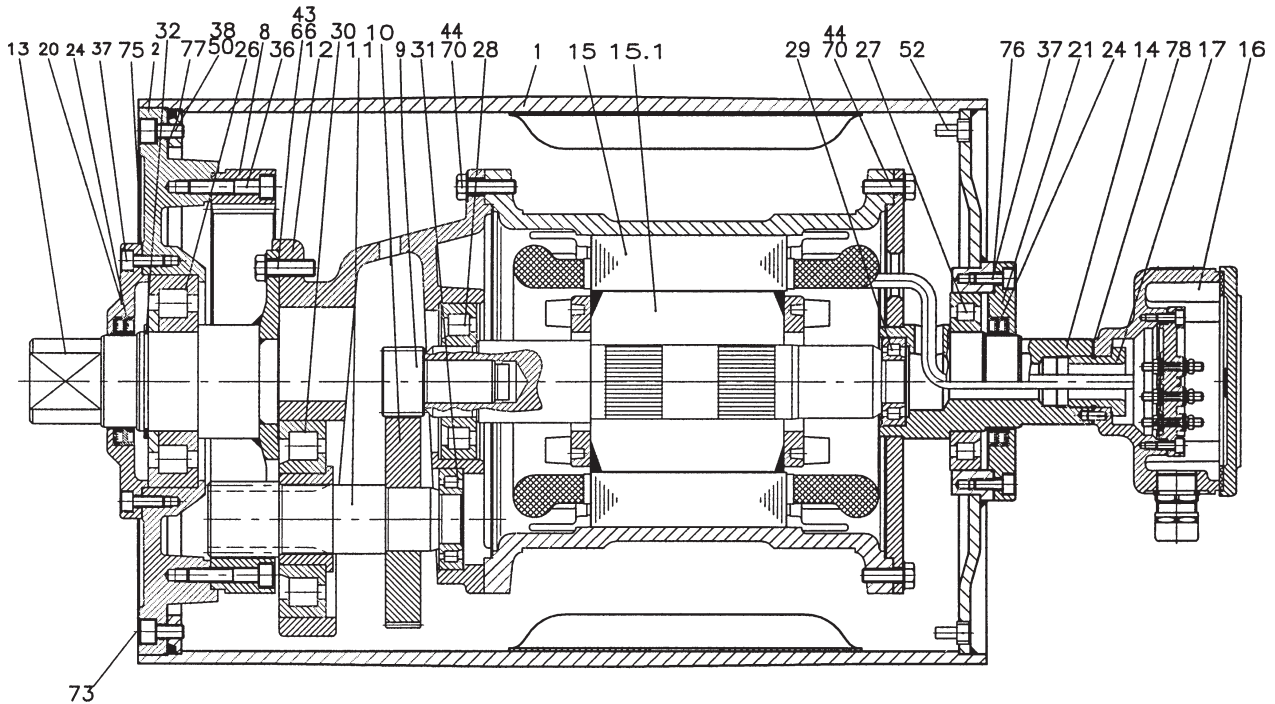




Motorized Pulley 400M, Ø 15.91 in. (404 mm)

Spare parts list and sectional drawings

Pos.	Description	Pos.	Description	Pos.	Description
1	Shell	24	2 Dust lip seals each side	67	Waved spring washer
2	End housing with geared rim	26	Bearing	70	Spring washer
3	End housing	27	Bearing	73	Set screw
8	Geared rim	28	Bearing	75	Gasket
9	Rotor pinion	29	Bearing	76	Gasket
10	Input wheel	30	Bearing	77	Gasket
11	Output pinion	31	Bearing	78	Gasket
12	Gear box – cast aluminum	32	Retaining ring	85	Intermediate flange
13	Front shaft	36	Hexagon head screw	90	Backstop
14	Rear shaft	45	Hexagon screw	91	Electromagnetic brake
15	Stator complete	50	Waved spring washer	93	Retaining ring
15.1	Rotor	52	magnetic oil plug	94	Hexagon head screw
16	Terminal box complete	37	Hexagon socket screw	99	Waved spring washer
17	Nipple	38	Hexagon socket screw	101	Key
20	Cover – front side	43	Hexagon screw	104	Distance washer
20.1	Cover with labyrinth groove	44	Hexagon screw	120	Labyrinth cover
21	Cover – rear side	52	Magnetic oil plug	121	Set screw
21.1	Cover with labyrinth groove	53	Distance washer	122	O-ring
23	Rear flange	66	Waved spring washer	123	Grease nipple

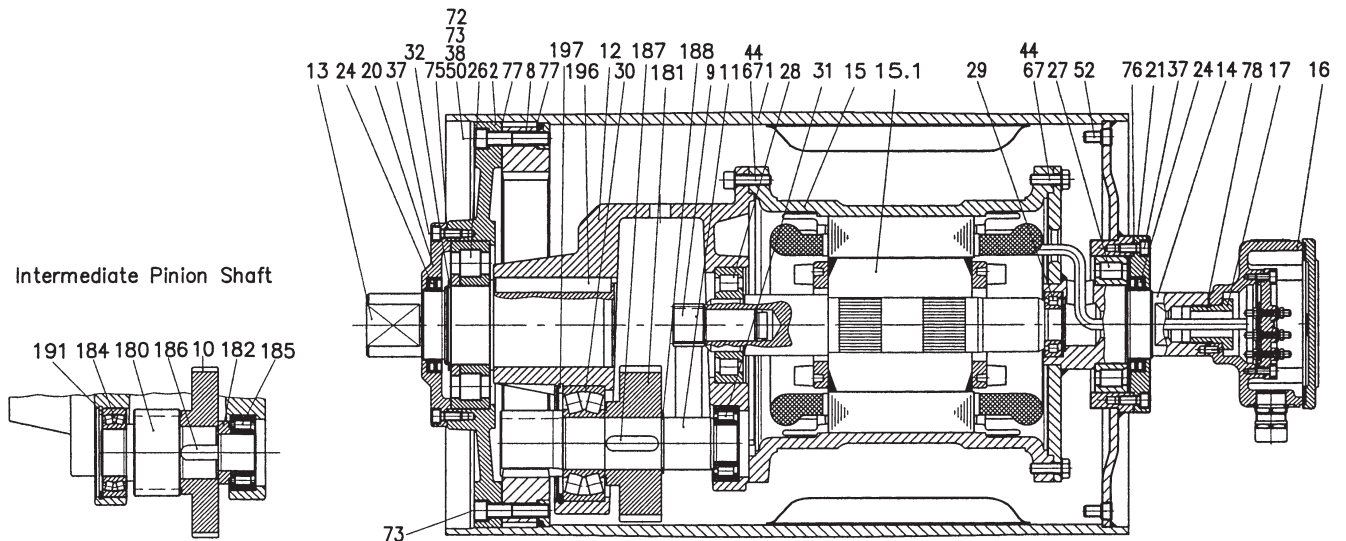




Motorized Pulley 400H, Ø 15.91 in. (404 mm)

Spare parts list and sectional drawings

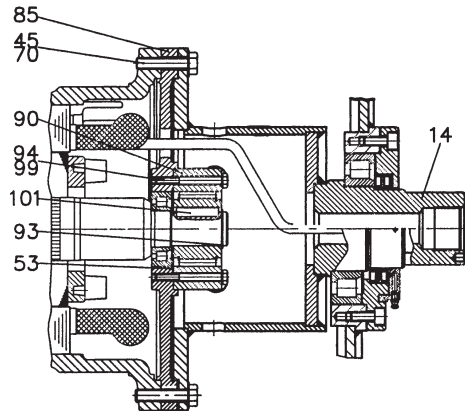
Pos.	Description	Pos.	Description	Pos.	Description
1	Shell	31	Bearing	93	Retaining ring
2	End housing with geared rim	32	Retaining ring	94	Hexagon head screw
8	Geared rim	33	Retaining ring	99	Waved spring washer
9	Rotor pinion	36	Hexagon socket screw	101	Key
10	Input wheel	37	Hexagon socket screw	104	Distance washer
11	Output pinion	38	Hexagon socket screw	120	Labyrinth cover
12	Gear box – cast iron	43	Hexagon socket screw	121	Fixing bolt
13	Rear shaft	44	Hexagon socket screw	122	O-ring
14	Front shaft	45	Hexagon socket screw	123	Grease nipple
15	Stator complete	50	Waved spring washer	180	Intermediate pinion shaft
15.1	Rotor	52	Magnetic oil plug	181	Intermediate wheel
16	Terminal box complete	53	Distance washer	182	Distance washer
17	Nipple	66	Waved spring washer	183	Distance washer
20	Cover rear side	72	Taper grooved pin	184	Roller bearing
20.1	Cover with labyrinth groove	73	Set screw	185	Roller bearing
21	Cover front side	75	Gasket	186	Key
21.1	Cover with labyrinth groove	76	Gasket	187	Key
23	Rear flange	77	Gasket	188	Retaining ring
24	2 Dust lip seals	78	Gasket	190	Retaining ring
26	Bearing	85	Intermediate flange for brake assembly	191	Retaining ring
27	Bearing	90	Backstop	194	Set screw
28	Bearing	91	Electromagnetic brake	196	Key
30	Bearing			197	Retaining ring



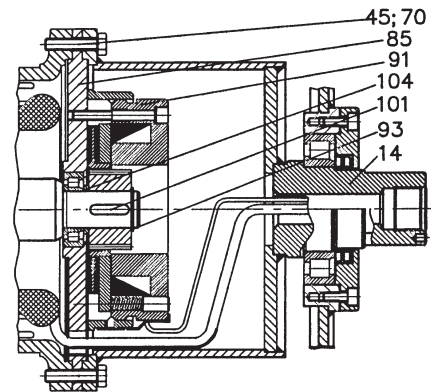


Motorized Pulley 400L, 400M & 400H, Ø 15.91 in. (404 mm) Sectional drawings

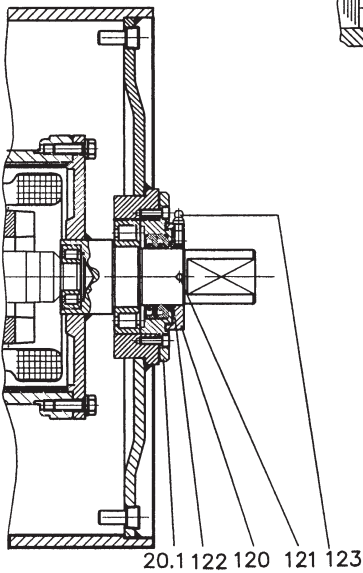
400M - 400H Backstop Option



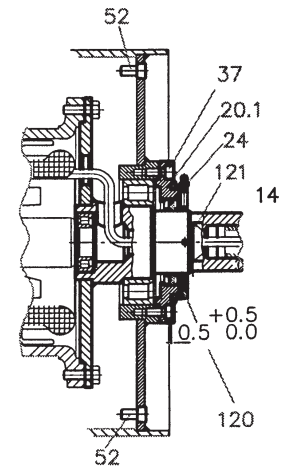
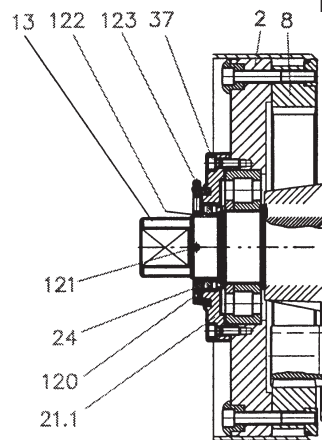
400M - 400H Electromagnetic Brake Option



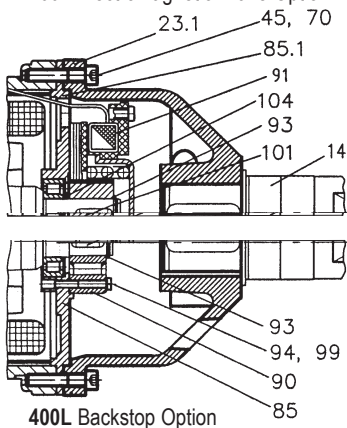
400L: TS9N & TS11N
Labyrinth Option



400M - 400H: TS9N & TS11N
Labyrinth Option



400L Electromagnetic Brake Option



400M - 400H: TS10N & TS12N
Stainless Steel Option without Labyrinth

