

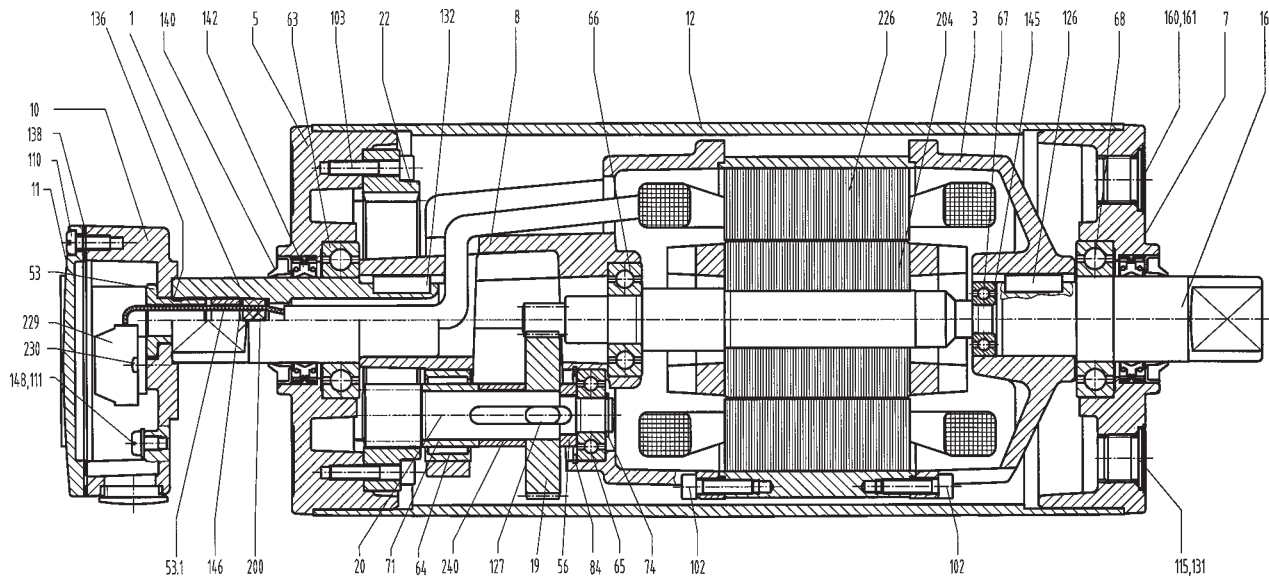


Motorized Pulley 138E, Ø 5.45 in. (138 mm)

Spare parts list and sectional drawings

Pos.	Description	Pos.	Description	Pos.	Description
1	Front shaft	31	Labyrinth seal cover	110	Screw
3	Rear flange	53	Nipple (terminal box	111	Screw
5	Bearing housing complete with geared rim	53.1	Cable seal nipple (cable option)	113	Screw
7	Bearing housing complete	55	Spacer bushing	114	Socket set screw
8	Gearbox	56	Spacer bushing	115	Oil plug with magnet
10	Terminal box – bottom part	63	Ball bearing	126	Key
11	Terminal box cover	64	Needle bearing	127	Key
12	Shell	65–70	Ball bearing	131	Key
16	Rear shaft	71	Inner race	132	Key
19	Input wheel	74	Locking ring	136	O-ring/Rubber seal
20	Output pinion	84	Locking ring	138	Rubber seal
22	Geared rim	86	Locking ring	139	Grease nipple
23	Intermediate pinion shaft	93	Elbow or straight connector	140	Deflection seal
24	Intermediate wheel	102	Screw	142	Double lip seal
		103	Screw	143	O-ring

2-stage gearbox



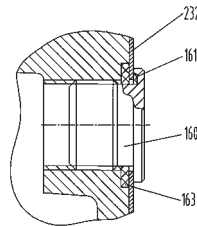


Motorized Pulley 138E, Ø 5.45 in. (138 mm)

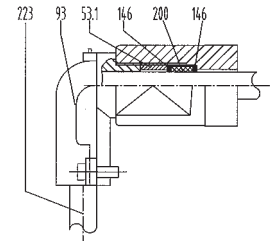
Spare parts list and sectional drawings

Pos.	Description	Pos.	Description	Pos.	Description
145	Distance washer	160	Oil plug	208	Stainless steel cover – gear end
146	Washer	161	O-ring	210	Fixing guard
148	Washer	163	O-ring	223	Cable
150	Electromagnetic brake	167	Screw	226	Stator complete
150.1	Friction disc	200	Rubber seal	240	Distance ring
156	Rectifier (not shown)	204	Rotor complete with pinion		

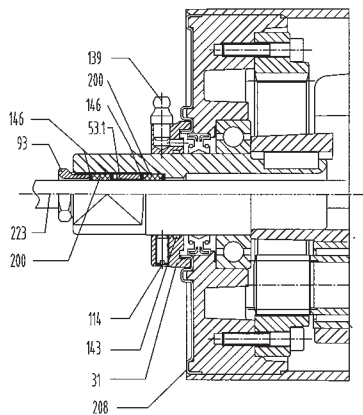
TS7N with cable connection



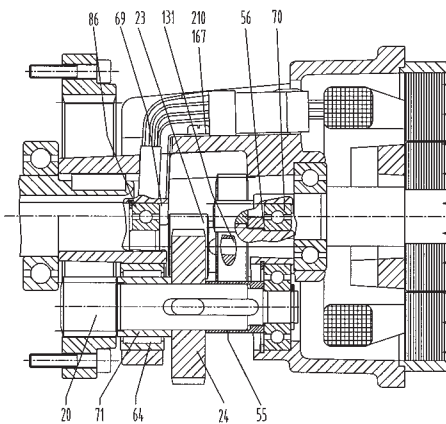
Elbow connector



TS7N with cable connection



3-stage gearbox



Electromagnetic brake

