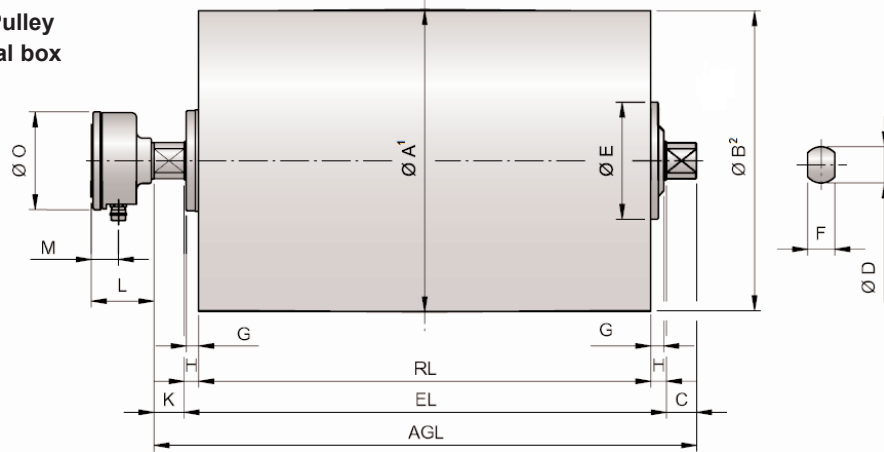


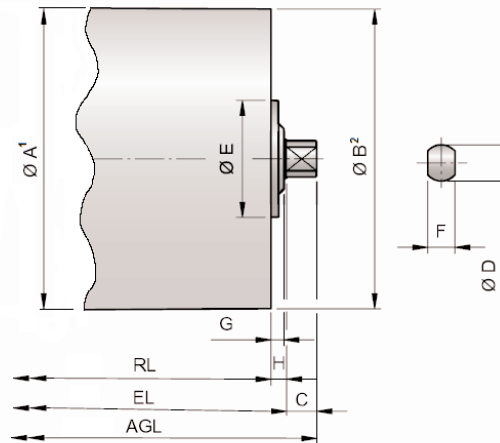


# Motorized Pulley 500L & 500M, Ø 19.72 in. (501 mm)

Motorized Pulley with terminal box

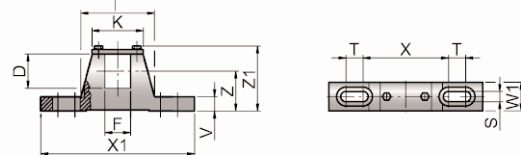


Idler Pulley<sup>3</sup> UT400M & UT400H



Model	Motorized Pulley or Idler Pulley										Standard terminal box			
	A in	B in	C in	D in	E in	F in	G in	H in	K in	L in	M in	N in	O in	
500L & 500M	19.72	19.57	1.97	2.36	7.64	1.77	0.91	0.98	1.97	3.94	1.44	-	6.14	
UT400M & UT400H	15.91	15.91	1.97	2.36	6.61	1.77	0.79	0.98	-					

- 1 A dimension is outer diameter of unlagged pulley shell at pulley centerline.
- 2 B dimension is outer diameter of unlagged pulley shell at each end of shell.
- 3 Idler pulley shown is non-crowned version.

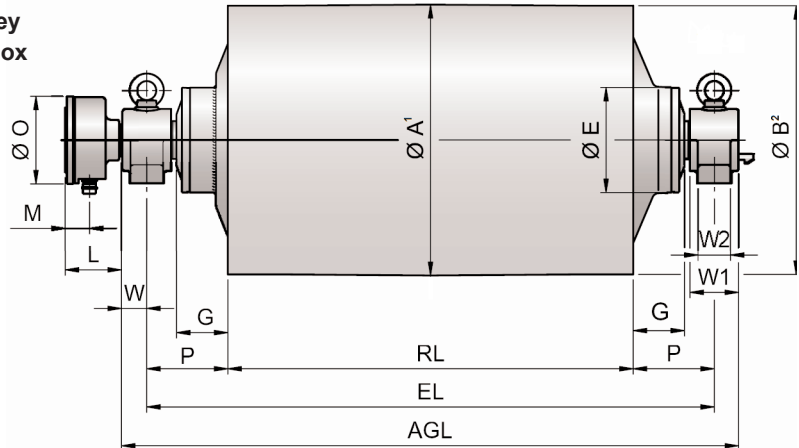


Motorized Pulleys & Idlers	Material	Bracket Size	Part Number	Dimensions												Weight
				D in	F in	I in	K in	S in	T in	V in	W1 in	X in	X1 in	Z in	Z1 in	
500L, 500M, UT400M, & UT400H	Steel painted	KL60	6YA09	2.36	1.77	5.12	3.54	0.71	1.18	0.98	1.97	5.91	10.63	2.76	4.53	10.58
	Steel Ni plated		6YA0D													

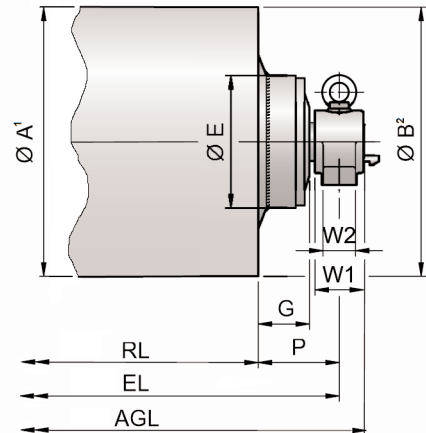


# Motorized Pulley 500H, Ø 19.72 in. (501 mm)

Motorized Pulley with terminal box



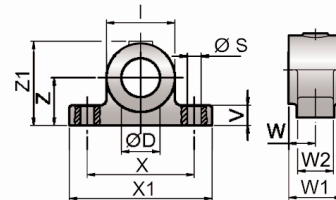
Idler Pulley<sup>3</sup> UT500H



Motorized Pulley or Idler Pulley

Model	A in	B in	C in	D <sup>4</sup> in	E in	G in	L in	M in	O in	P in
500H	19.72	19.57	-	2.56	7.56	3.74	3.94	1.44	6.14	5.91
UT500H	19.72	19.72	-	2.56	9.25	3.74	-	-	-	5.91

- 1 A dimension is outer diameter of unlagged pulley shell at pulley centerline.
- 2 B dimension is outer diameter of unlagged pulley shell at each end of shell
- 3 Idler pulley shown is non-crowned version.
- 4 D dimension is shaft diameter.



Mounting bracket\*

Motorized Pulleys & Idler Pulleys Model	Material	Bracket Size*	Dimensions											Weight lbs
			D in	I in	S in	V in	W in	W1 in	W2 in	X in	X1 in	Z in	Z1 in	
500H & UT500H	Cast iron	AL65 / ALO65	2.56	4.53	0.91	1.34	1.85	3.54	2.36	7.09	9.45	3.15	5.55	17.64

\* Type AL bracket has gib key. Type ALO has no gib key. See position 69 on page 68.