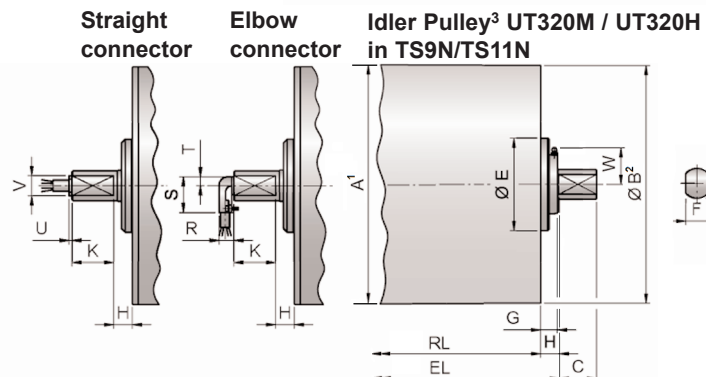
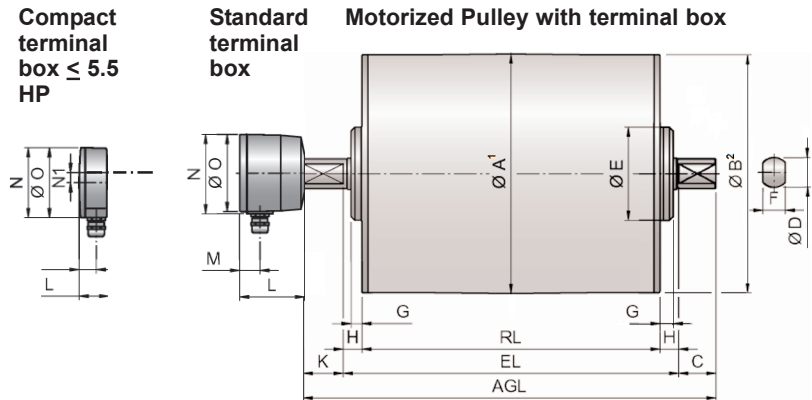


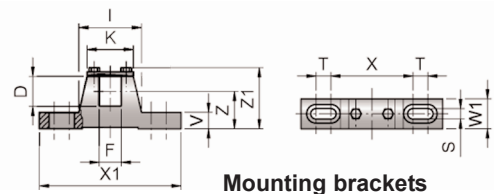


Motorized Pulley 320L, 320M & 320H, Ø 12.64 in. (321 mm)



Model	Motorized Pulley or idler Pulley											Standard terminal box				Compact terminal box ≤ 5.5 HP				Straight connector ≤ 5.5 HP		Elbow connector ≤ 5.5 HP		
	A in	B in	C in	D in	E in	F in	G in	G TS9/11 in	H in	K in	W in	L in	M in	N in	O in	L in	M in	N in	N1 in	U in	V in	R in	S in	T in
320L	12.72	12.56	1.97	1.57	3.78	1.18	0.59	0.75	0.98	2.13	-	-	-	-	-	1.61	0.95	3.74	0.55	0.16	1.06	0.79	1.89	0.47
320M	12.64	12.56	1.97	1.57	4.92	1.18	0.69	0.89	0.98	2.13	-	3.43	1.06	4.21	4.13	1.61	0.95	3.74	0.55	0.16	1.06	0.79	1.89	0.47
320H	12.64	12.56	1.97	1.97	5.83	1.57	0.43	0.81	0.98	2.17	-	3.43	1.06	4.21	4.13	1.61	0.95	3.74	0.55	0.16	1.06	0.79	1.89	0.47
UT320M	12.64	12.64	1.97	1.57	4.92	1.18	0.57	0.89	0.98	-	2.05													
UT320H	12.64	12.64	1.97	1.97	5.83	1.57	0.43	0.81	0.98	-	2.05													

- 1 A dimension is outer diameter of unlagged pulley shell at pulley centerline.
- 2 B dimension is outer diameter of unlagged pulley shell at each end of shell.
- 3 Idler pulley shown is non-crowned TS9N/TS11N version with regreasable seals.



Motorized Pulleys	Material	Bracket Size	Part Number	Dimensions													Weight lbs
				D in	F in	I in	K in	S in	T in	V in	W1 in	X in	X1 in	Z in	Z1 in		
320L & 320M	Steel painted	KL41-HD	6YA0K	1.57	1.18	3.31	2.44	0.55	0.79	0.87	1.57	4.33	7.48	1.97	3.27	4.63	
	Steel Ni plated		6YA0W														
	Stainless steel		6YA0U														
320H	Steel painted	KL42	6YA0J	1.97	1.57	4.76	3.54	0.71	1.18	0.98	1.97	5.91	9.84	2.76	4.33	9.92	
	Steel Ni plated		6YA0S														