

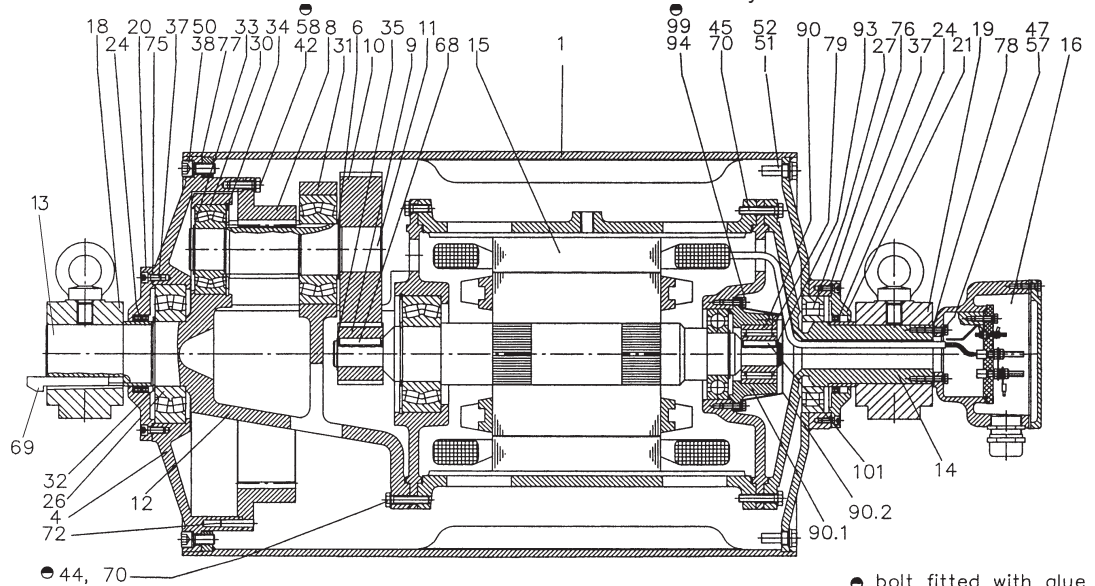


Motorized Pulley 500H – 800H, Ø 19.72 - 31.50 in.

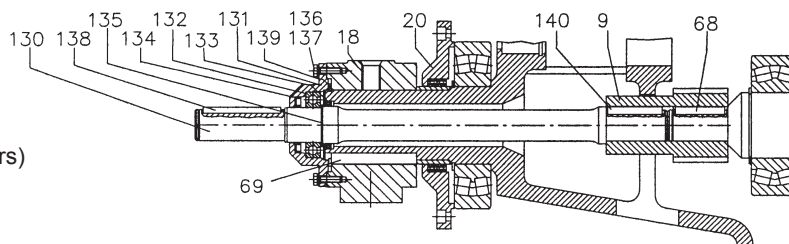
Spare parts list and sectional drawings

Pos.	Description	Pos.	Description	Pos.	Description
1	Shell	23	Rear flange	75	Gasket
4	End housing with geared rim	24	2 Dust lip seals each side	76	Gasket
6	Distance washer (633H/800H)	26	Bearing	77	Gasket
8	Geared rim	27	Bearing	78	Gasket
9	Rotor pinion	30	Bearing	79	Holding plate
10	Input wheel	31	Bearing	85	Motor flange for backstop/brake
11	Output pinion	32	Retaining ring	90	Backstop
12	Gear box including rear shaft	33	Retaining ring	90.1	Backstop housing
13	Rear shaft	34	Retaining ring	90.2	Backstop cover
14	Front shaft	35	Retaining ring	93	Retaining ring
15	Stator complete	37	Hexagon socket screw	94	Hexagon head screw
15.1	Rotor	38	Hexagon socket screw	99	Spring washer
16	Terminal box complete	42	Hexagon head screw	101	Key
17	Nipple (for 500H/630M only)	44	Hexagon head screw	123	Grease nipple
18	Mounting brackets rear side	45	Hexagon head screw	130	Brake shaft
18.1	Mounting bracket with labyrinth – rear side	47	Hexagon head screw	131	Mounting bracket bearing cover
19	Mounting bracket front side	50	Washer	132	Roller bearing
19.1	Mounting brackets with labyrinth – front side	51	Gasket	133	Brake shaft seal
20	Cover – gear side	52	Magnetic oil plug	134	Brake shaft seal
20.1	Cover with labyrinth groove	58	Spring washer	135	Retaining ring
21	Cover – front side	68	Key	136	Bolts - bearing cover
22.1	Cover with labyrinth groove	69	Gib key	137	Spring lock washer
		70	Waved spring washer	138	Key
		72	Grooved pin	139	Retaining ring
		73	Set screw	140	Key

Backstop Option



Brake Shaft Option for external brake (by others)

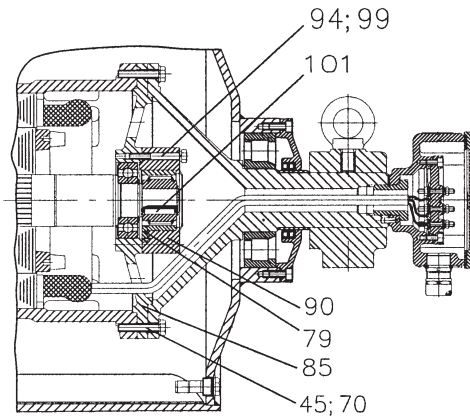




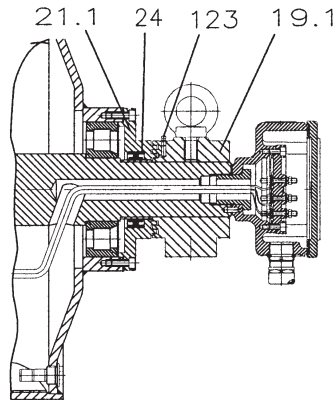
Motorized Pulley 500H – 800H, Ø 19.72 - 31.50 in.

Sectional drawings

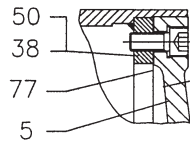
Backstop Option



Labyrinth Option



Valid for 800M & 800H



800M & 800H bolted cast iron end housings at both sides

