

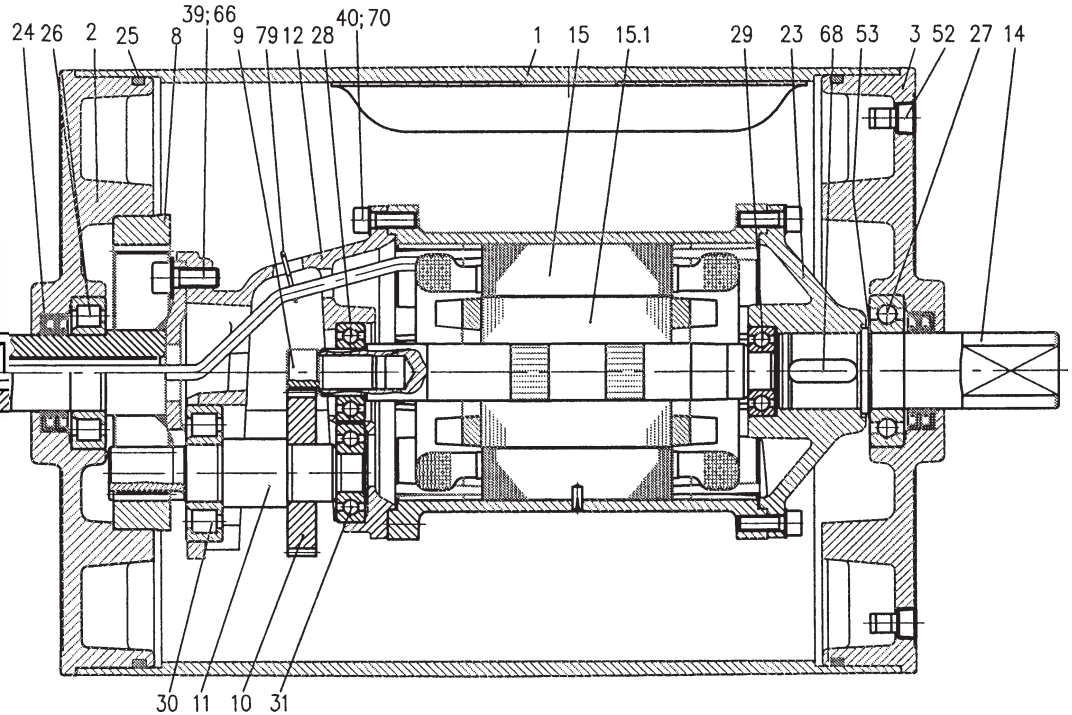
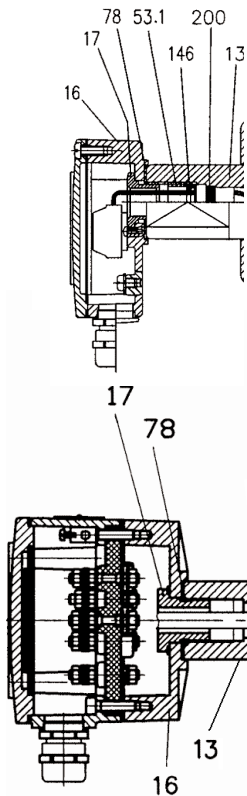


# Motorized Pulley 320L, Ø 12.64 in. (321 mm)

## Spare parts list and sectional drawings

Pos.	Description	Pos.	Description	Pos.	Description
1	Shell	17	Nipple	59	Countersunk head screw
2	End housing with geared rim	20	Cover	66	Waved spring washer
3	End housing	20.1	Cover with labyrinth groove	68	Key
8	Geared rim	23	Rear flange	70	Toothed washer
9	Rotor pinion	23.1	Rear flange for backstop	78	Gasket
10	Input wheel	23.2	Rear flange for electromagnetic brake	79	Holding clip or plastic tie
11	Output pinion	24	2 Dust lip seals each side	85	Intermediate flange for backstop
12	Gear box	24	1 Double lip seal for labyrinth option	85.1	Intermediate flange for brake assembly
13	Front shaft	25	O-ring	91	Electromagnetic brake
14	Rear shaft	26	Bearing	93	Retaining ring
15	Stator complete	27	Bearing	95	Straight connector
15.1	Rotor	28	Bearing	96	Elbow connector
16	Terminal box complete	29	Bearing (Backstop solution: One-way-bearing)	101	Key
		30	Bearing	104	Distance washer
		31	Bearing	120	Labyrinth cover
		39	Hexagon socket screw	121	Set screw
		40	Hexagon socket screw	122	O-ring
		52	Magnetic oil plug	123	Grease nipple
		53	Distance washer	143	O-ring
		53.1	Compression nipple	146	Special shaped compression washer
				200	Rubber seal

Compact Terminal Box

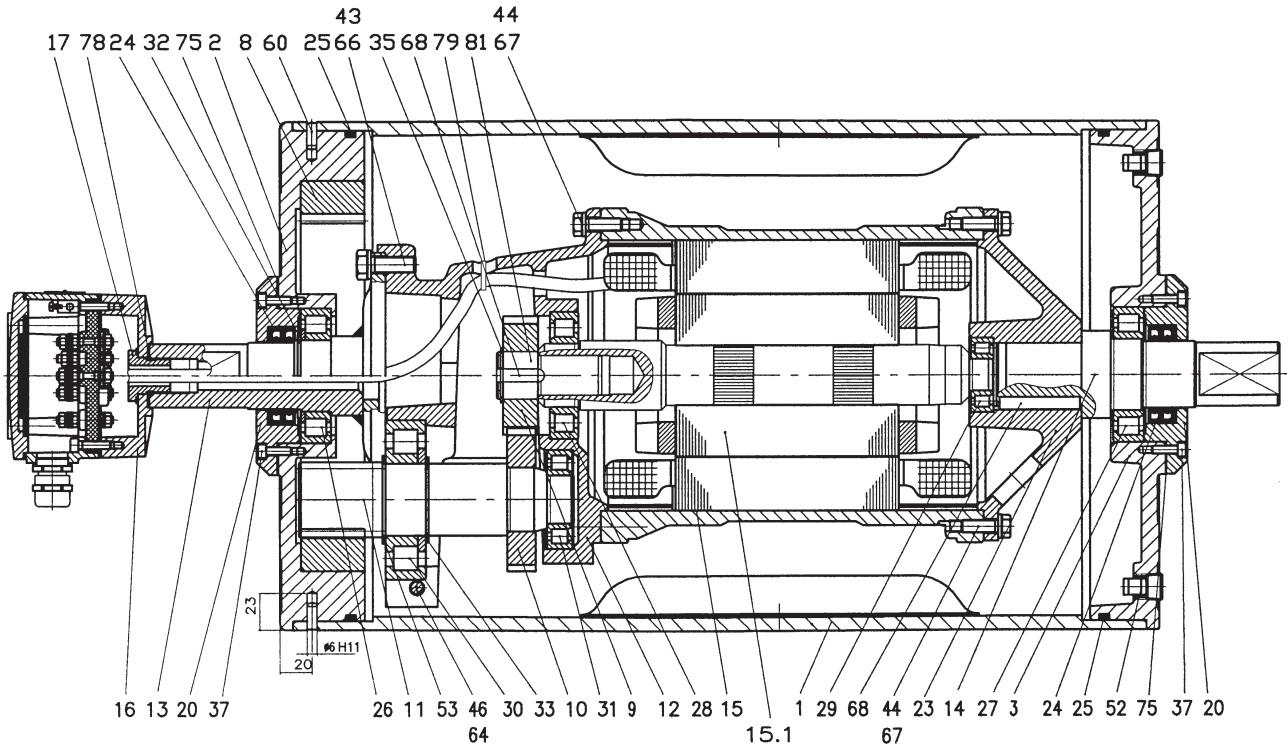




# Motorized Pulley 320M, Ø 12.64 in. (321 mm)

## Spare parts list and sectional drawings

Pos.	Description	Pos.	Description	Pos.	Description
1	Shell	29	Bearing	78	Gasket
2	End housing with geared rim	30	Bearing	79	Holding clip or plastic tie
3	End housing	31	Bearing	85	Intermediate flange for back-stop
8	Geared rim	32	Retaining ring	85.1	Intermediate flange for brake assembly
9	Rotor pinion	33	Retaining ring	91	Electromagnetic brake
10	Input wheel	35	Retaining ring	93	Retaining ring
11	Output pinion	37	Hexagon socket screw	94	Hexagon head screw
12	Gear box	43	Hexagon socket screw	95	Straight connector
13	Front shaft	44	Hexagon socket screw	96	Elbow connector
14	Rear shaft	45	Hexagon head screw	99	Waved spring washer
15	Stator complete	46	Hexagon head screw	101	Key
15.1	Rotor	49	Washer	104	Distance washer
16	Terminal box complete	52	Magnetic oil plug	120	Labyrinth cover
17	Nipple	53	Distance washer	121	Set screw
20	Cover	53.1	Compression nipple	122	O-ring
20.1	Cover with labyrinth groove	60	Parallel pin	123	Grease nipple
23	Rear flange	64	Prevailing torque type hexagon nut	143	O-ring
23.1	Rear flange for backstop/Brake	66	Waved spring washer	146	Special shaped compression washer
24	2 Dust lip seals each side	67	Waved spring washer	200	Rubber seal
25	O-ring	68	Key		
26	Bearing	70	Waved spring washer		
27	Bearing	75	Gasket		
28	Bearing				



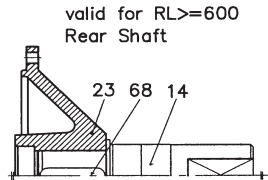
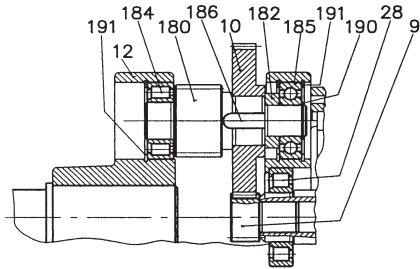
Pos: 52 sealed with plumber sealing tape



# Motorized Pulley 320H, Ø 12.64 in. (321 mm)

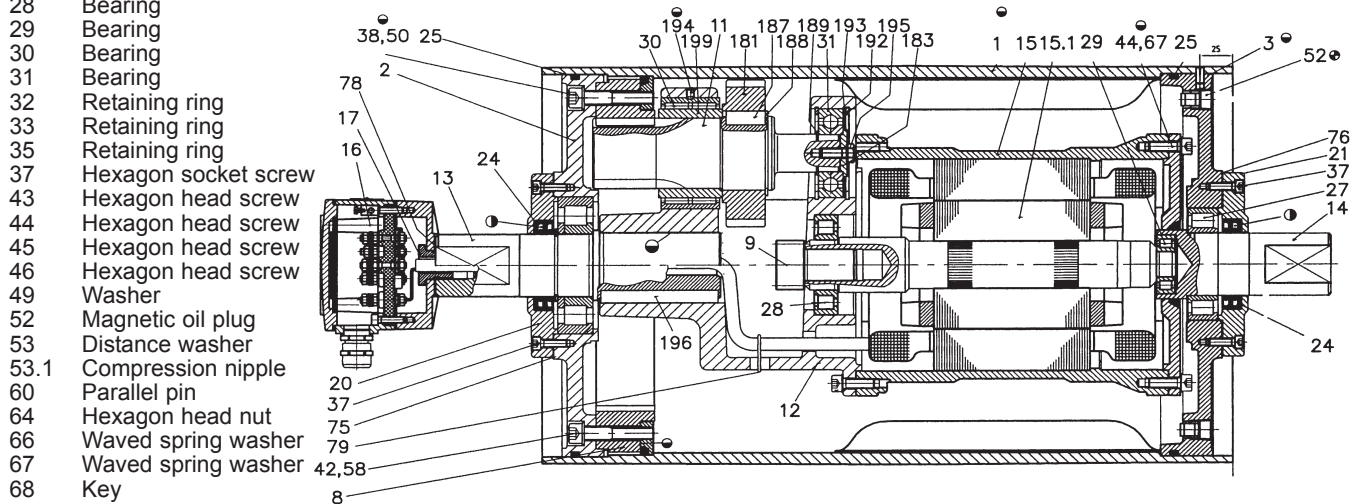
## Spare parts list and sectional drawings

Pos.	Description	Pos.	Description	Pos.	Description
1	Shell	70	Waved spring washer	143	O-ring
2	End housing with geared rim	73	Set screw	146	Special shaped compression washer
3	End housing	75	Gasket	180	Intermediate pinion shaft
8	Geared rim	78	Gasket	181	Intermediate pinion
9	Rotor pinion	79	Holding clip or plastic tie	182	Distance bushing
10	Input wheel	80	Hexagon head screw	183	Washer
11	Output pinion	84	Rear flange for brake	184	Roller bearing
12	Gear box	85	Intermediate flange for backstop	185	Roller bearing
13	Front shaft	85.1	Intermediate flange for brake assembly	186	Key
14	Rear shaft	90	Backstop	187	Key
15	Stator complete	91	Electromagnetic brake	188	Retaining ring
15.1	Rotor	93	Retaining ring	190	Retaining ring
16	Terminal box complete	94	Hexagon head screw	191	Retaining ring
17	Nipple	95	Straight connector	192	Retaining ring
20	Cover front side	96	Elbow connector	193	Distance washer
20.1	Cover with labyrinth groove	99	Waved spring washer	194	Set screw
21	Cover – rear side	101	Key	195	Prevailing torque type hexagon nut
21.1	Cover with labyrinth groove	104	Distance washer	196	Key
23	Rear flange	120	Labyrinth cover	197	Retaining ring
23.1	Rear flange for brake option	121	Set screw	198	Distance ring
24	2 Dust lip seals each side	122	O-ring	200	Rubber seal
25	O-ring	123	Grease nipple		
26	Bearing				
27	Bearing				
28	Bearing				
29	Bearing				
20	Cover front side				
20.1	Cover with labyrinth groove				
21	Cover – rear side				
21.1	Cover with labyrinth groove				



valid for RL >= 600  
Rear Shaft

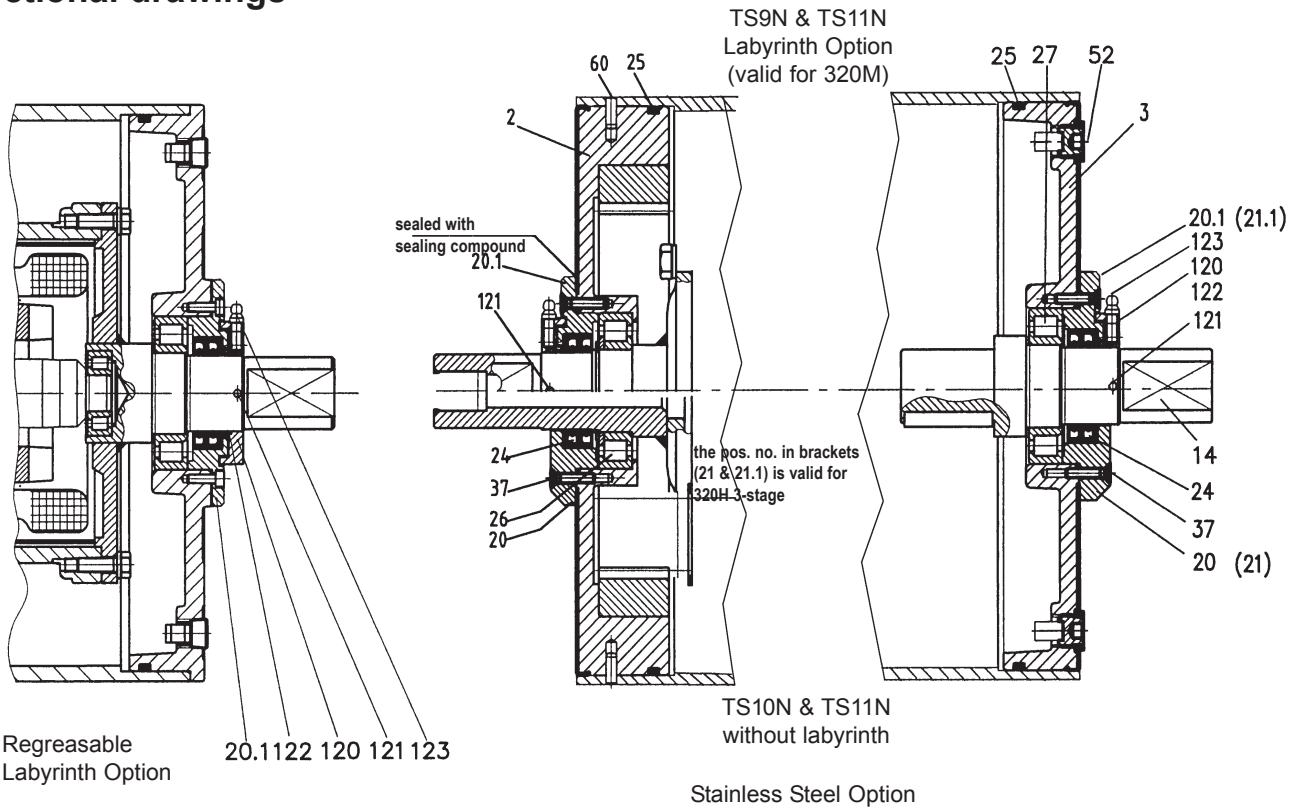
- sealed with plumber plastic tape
- fitted with metal glue
- filled with grease





# Motorized Pulley 320L, 320M & 320H, Ø 12.64 in. (321 mm)

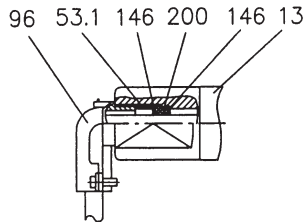
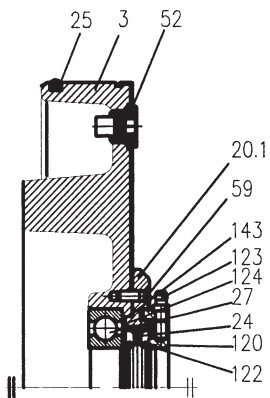
## Sectional drawings



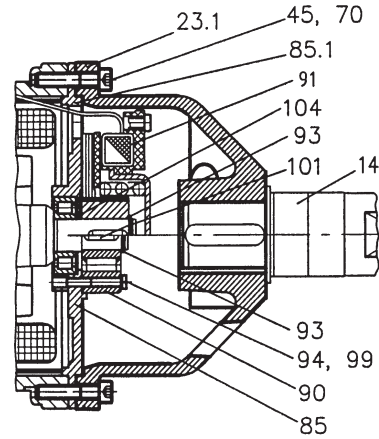
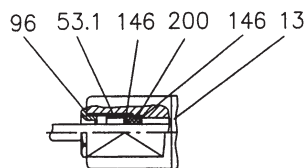
320L TS9N

Elbow Connector

Electromagnetic Brake Option



Straight Connector



Backstop Option